

# CBU-COPD

## IP66 Rated Compact Passive Infra Red (PIR) Occupancy/Person Detector & Photocell

Input: 220-240 Vac 50Hz

CASAMBI



PLEASE READ THESE INSTRUCTIONS BEFORE INSTALLING THE PRODUCT  
NOTE: CBU-COPD is only compatible to work with CASAMBI enabled equipment

This CBU-COPD Lighting Control has an IP66 rated weatherproof enclosure and can be surface mounted onto an external wall. Configurable via the free to download Casambi APP on Google Play or Apple APP Store.



### INSTALLATION

To be installed by a competent person with reference to BS 7671 or equivalent local standards. If in doubt consult a qualified electrician.

- Plan where the CBU-COPD is to be located (see diagram 1). Switch off supply and check for hidden cables and pipes.
  - The detector should be sited so that it is not shaded from daylight
  - Make sure the power is isolated from the circuit
  - Remove the front cover by removing the two screws on the front face of the product.
  - Remove the terminal cover (see diagram 3)
  - The detector should be mounted between 1 and 2.2 metres high, via any of the four pre-drilled mounting holes only and must be mounted with the cable entering from below.
  - Thread mains cable carefully through the required membrane entry point.
  - The CBU-COPD should be connected as shown in diagram 2:
- L - Live in. N - Neutral in.
- IMPORTANT - Replace terminal cover.
  - Replace the front cover ensuring the two screws are secured.

### OPERATION

To check the operation of the CBU-COPD:

- Turn on the supply then after 20 seconds if the sensor has recognised movement of a person within its zone of detection the integral red LED on CBU-COPD will stay illuminated for 4 seconds before the red LED turns off.
- Thereafter, every time movement is detected by CBU-COPD the integral red LED will stay illuminated for 4 seconds.

The control also features adjustable time out (time lag) control and daylight threshold control which are configured by the Casambi APP.

### PRECAUTIONS

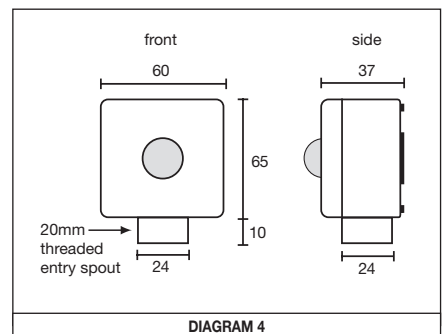
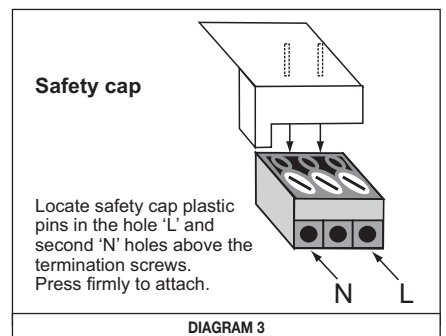
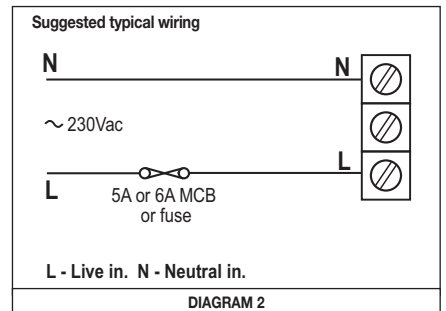
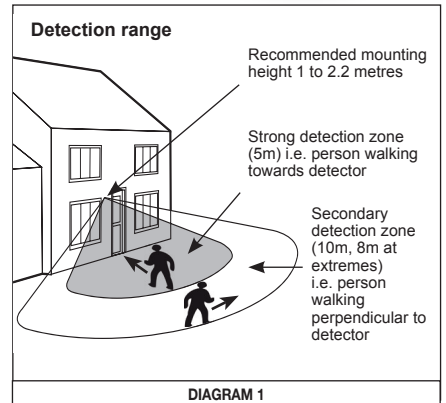
- Do not place the CBU-COPD near heat sources, fans or in ventilated ceiling voids.
- CBU-COPD can be wired in parallel (sharing the same Live and Neutral).
- Do not place close to, or positioned such that, any light source points directly into the CBU-COPD.
- Ensure wires and cables are securely held within the connection terminals.
- The CBU-COPD should be protected by a 5 or 6 Ampere mcb or fuse.
- Disconnect the CBU-COPD from the circuit before performing insulation testing of the wiring circuit.**

### TECHNICAL DETAILS

INPUT	
Voltage:	220 - 240Vac
Frequency:	50Hz
Max. mains current:	0.05A
Standby current:	0.05A
RADIO TRANSCEIVER	
Operating frequencies:	2.4... 2,483 GHz
Max. output power:	+4 dBm
LUX PARAMETERS	
Range:	5 - 2000 lux
OPERATING CONDITIONS	
Note: The temperature difference between the detection target and the background must be at least 4 °C.	
Ambient temperature:	-20... +40 °C (Iout 0.05 A)
Storage temperature:	-25... +75 °C
Max. relative humidity:	0... 80%, non cond.
CONNECTORS	
Terminal block Wire size:	0.5mm <sup>2</sup> - 2.5mm <sup>2</sup> solid or stranded
Wire strip length:	6-7mm
Tightening torque:	0,4 Nm/4 Kgf.cm
MECHANICAL DATA	
Dimensions:	75mm x 60mm x 37mm
Weight:	111g (unpacked)
Degree of protection:	IP66
Protection class:	Built-in Class 2
Material (casing)	Flame-retardant polycarbonate/ Polypropylene.
Finish / Colour	Opaque /White (RAL 9003)
Protection class:	Built-in Class 2
CONFORMITY AND STANDARDS	
EMC emission:	EN60669-2-1:2004 inc. A12:2010
EMC immunity:	EN60669-2-1:2004 inc. A12:2010
Safety:	EN60669-2-1:2004 inc. A12:2010
Environment:	Complies with WEEE and RoHS directives

### 5 YEAR WARRANTY

CBU-COPD comes with a 5 year warranty from the date of manufacture and is CE marked.



DANLERS Limited, Vincients Road, CHIPPENHAM, Wiltshire, SN14 6NQ, UK.  
Telephone: +44 (0)1249 443377 Fax: +44 (0)1249 443388 E-mail: sales@danlers.co.uk  
[www.danlers.co.uk](http://www.danlers.co.uk)

Company Registered Number 2570169 VAT Registration Number 543 5491 38

# DANLERS